

Kuma

Queensland
Collection

design by

ella rae

Q2028 - KUMA (FW13)



Kuma cowl

YARN

Queensland Collection KUMA

MEASUREMENTS

Circumference approx 100 cm (39½ in)

Length 40 cm (15¾ in)

Col. No.	Quantity x 100g balls
04	2

NEEDLES

1 set 6.50mm circular needles (US 10.5)

1 cable needle

TENSION/GAUGE

19 sts and 18 rows measured over 10 cm (approx 4 in) of Pattern using 6.50mm needles.

Special Abbreviations

C6 (Cross 6) slip next 4 sts onto cable needle and hold at front of work, knit next 2 sts from left-hand needle, slip 2 purl sts from cable needle back to left-hand needle. Pass cable needle with rem knit sts to back of work, purl 2 sts from left-hand needle, then knit the 2 sts from cable needle.

Cable Pattern

Rnds 1+2 * K2, p2; rep from * to end.

Rnd 3 * [K2, p2] twice, C6, p2; rep from * to end.

Rnds 4-10 (incl) As rnd 1.

These 10 rnds form pattern repeat.

COWL

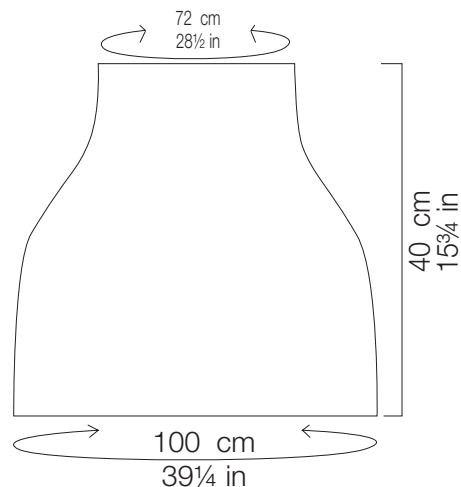
Using 6.50mm circular needles, cast on 192 sts, pm, taking care not to twist sts.

Cont working in pattern repeat until 4 repeats have been worked, work rnds 1-3 once more. [43 rnds]

Next rnd (dec) * [K3 tog] twice, [p2, k2] twice, p2; rep from * to end. [144 sts]

Cont working in rnds of k2, p2 rib until total length measures 40 cm. Cast off loosely in rib.

Darn in any loose ends.





Queensland
Collection

Kuma

EuroYarns / Knitting Fever INC
315 Bayview Avenue
Amityville, NY 11701
www.knittingfever.com

Follow us on



ABBREVIATIONS

alt	alternate
beg	beginning
b	work through the back
col	colour
cont	continue
cm	centimetres
cn	cable needle
circ	circular
dec	decrease
fol	following
inc	increase
incl	including
in/s	inch/es
K, k	knit
KB1	knit into back of next st
K1B	insert needle through centre of st below next st on needle and knit this in the usual way, slipping the st above off needle at same time.
mm	millimetres
m 1	make 1, pick up thread lying between sts and knit it
patt	pattern
P, p	purl
PB1	purl into back of next st
psso	pass slipped stitch over
rem	remaining
rep	repeat
rev	reverse
RS	right side
sl 1	slip one stitch
sh sh	shoulder shaping
st st	stocking stitch
st/s	stitch/es
tbl	through back of loop
tog	together
vers	version
WS	wrong side
wyif/wyib	with yarn in front or with yarn in back of stitch
yb	yarn back
yfon	yarn forward over needle
yfwd/yf	yarn forward
yon	yarn over needle
yrn	yarn around needle
ys	years

ACKNOWLEDGEMENTS

DESIGN AND PATTERN WRITING Leanne Prouse
PHOTOGRAPHY Krysta Guille
MODEL Tristine
GRAPHIC DESIGN Sheryl Stephens

©The reproduction of any material
from this publication is forbidden,
unless written consent is obtained
from the publisher. 2013