

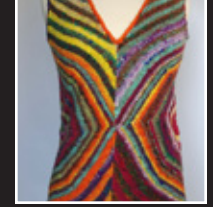
NORO

Koromo

Top



Top



N1005



Instructions

* CIRCLE.

Using dp needles cast on 8 sts. Join in a round. Place 8 markers after each st. Working in Stripes (5 rounds from two different balls to use contrasting colors) increase 1 st after each marker every other round.

Make 50 (55, 60) rounds or 10 (11, 12) stripes. Total 208 (226, 248) sts.

** Next round: work with first 52 (57, 62) sts in Stst in stripes (4 rows from each ball). Dec 1 st at the beg and end of every RS row (K1, K2tog, knit to last 3 sts, ssk, K1) and at the beg and end of every WS row (P1, P2tog, purl to last 3 sts, P2tog tbl, P1) until 4 sts left. B.o. 4 sts. Repeat from ** for next 52 (57, 62) sts.

RIGHT BACK

Work with next 52 (57, 62) sts. Dec 1 st at the beg and end of every row. Make 4 rows.

Continue to dec 1 st only at the beg of RS row and end of WS row. Make 8 rows. Continue to decrease 1 st only at the beg of every RS row and increase 1 st at the end of every RS row until armhole measures 7 (7.5, 8)". Dec 1 st at the beg and end of every RS row until 3 sts left. K3tog. Fasten off last st.

LEFT FRONT

Work with last set of 52 (57, 62) sts. Dec 1 st at the beg and end of RS and WS rows. Make 4 rows. Continue to decrease 1 st only at the end of RS row and at the beg of WS row (on RS - knit to last 3 sts, K2tog, K1, on WS - P1, P2tog, purl to end).

Repeat last 2 rows 10 times.

Shape neck: continue in Stripes (4 rows from each ball)

1 row: (RS) K1, m1, knit to last 3 sts, K2 tog, K1.

2 row: (WS) P1, P2tog, purl to end.

3 row: as 1st

4 row: purl.

Repeat last 4 rows 6 (7, 8) times.

Shape shoulder: continue in Stripes, dec 1 st at at the beg and end of each RS row until 4 sts left.

Next row: ssk, K2tog. B.o. 2 sts in purl on WS.

Repeat from * for second half making reverse shaping for Left Back and Right Front.

FINISHING

Sew shoulders and Front/ Back seams.

With 16" long circular needles pick up 64 (68, 72) sts around armholes, purl one round, b.o. in knit.

Pick up 154 (172, 190) sts on bottom edge, purl one round, b.o. in knit.

Pick up 122 (126, 130) sts around neck, purl one round, b.o. in knit.

Block top to measurements.

Materials

4 (Sm-34") to 5 (Md-38"; Lg-42") balls of Noro Koromo yarn shade #4

Needles size US 6, 16" and 24" long circular, markers

Gauge

4.5 sts = 1 in.

5 rows = 1 in. in Sts

Notes

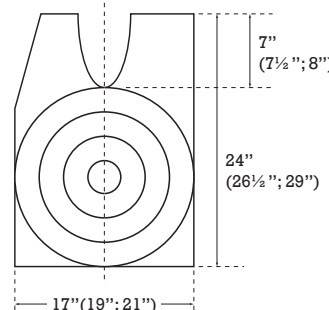
Top is done in two halves - right and left.
Each half started from center of circle.

Credits & Acknowledgements

Garment Design & Photography by
Irina Poludnenko

Revised on 6/18/13

(L) FRONT (R) BACK



(L) BACK (R) FRONT

