



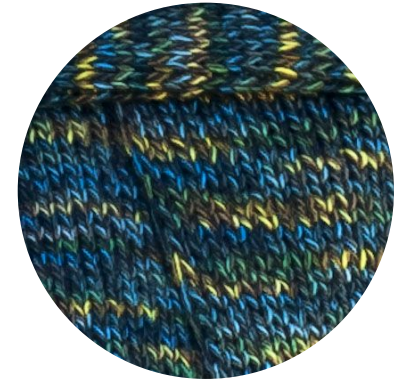
**Araucania Yarns**  
NATURAL INSPIRATION  
Chile

Designs by  
Mestizo / MLP

SECRET GARDEN COAT PANGUIPULLI / A1016

# PANGUIPULLI

## SECRET GARDEN COAT PANGUIPULLI



### ABBREVIATIONS :

ST : STITCH  
K : KNIT  
P : PURL  
ST-ST : STOCKINETTE STITCH  
REM : REMAINING  
WS : WRONG SIDE  
RS : RIGHT SIDE  
PATT : PATTERN  
BEG : BEGINNING  
REP : REPEAT  
DEC : DECREASE  
INC : INCREASE

### STITCHES :

STOCKINETTE STITCH: 1° ROW (RS) , KNIT: 2° ROW , PURL.  
REP THESE TWO ROWS.

1X1 RIBBING: R S \* K 1, P 1 \* REPEAT FROM \* . 2nd AND ALL FOLLOWING ROWS,  
WORK STS AS THEY APPEAR.

### GAUGE :

IN ST - ST, WITH SIZE 8 NEEDLES:  
18 STS AND 24 ROWS = 4 X 4"

IN 1X1 RIB ST , WITH SIZE 8 NEEDLES  
20 STS AND 24 ROWS = 4 X 4".

SIZE : L ( S, M )

SKILL LEVEL : INTERMEDIATE

#### FINISHED MEASUREMENTS :

TO FIT BUST: 98 ( 86, 92,) CM ; 38 1/2 (34,36 1/4)"  
LENGTH: 96 (92,94)CM; 37 3/4 (36 1/4,37)"

#### MATERIALS :

PANGUIPULLI 1300 (1100, 1200) GRS, SHADE 30  
1 PAIR 8 (US) / 5 MM KNITTING NEEDLES  
1 PAIR 10 1/2 (US) / 6,5 MM KNITTING NEEDLES  
OR SIZE TO OBTAIN GAUGE  
STITCH HOLDER

#### IMPORTANT

AS THERE ARE NO DYE LOTS, WE RECOMMEND BUYING ENOUGH YARN AT ONE TIME  
TO COMPLETE EACH PROJECT.

PLEASE NOTE THAT DUE TO HAND DYING, HANKS ARE NEVER THE SAME, KNIT WITH  
TWO HANKS IN ASSORTED ROWS, THIS WILL ASSURE AN OVERALL BLENDED EFFECT.

FOR CARE INSTRUCTIONS FOLLOW LABEL ON THE BALL.

## DIRECTIONS :

### BACK :

WITH SIZE 8 NEEDLES, CAST ON 92 (82,88) ST, WORK 10 CM (4") IN 1X1 RIB ST.  
NEXT RS ROW, CHANGE TO ST - ST AND DEC AT BEG OF EACH SIDE AND EVERY 12 ROWS, 6 (5,6) TIMES 1 ST = 80 (72,76) STS.

### ARMHOLES :

WHEN WORK MEASURES 74 (72,73) CM; 29 1/4 (28 1/4, 28 3/4)" DEC AT BEG OF EACH SIDE, 1 TIME, 5 STS; 1 TIME, 3 STS; AND 1 TIME, 1 ST. = 62 (54,58) STS.

### SHOULDER:

WHEN BACK MEASURES 96 (92,94) CM; 37 3/4 (36 1/4, 37)" BIND OFF 20 (18,19) STS, KEEP THE FOLLOWING 22 (18,20) STS IN HOLDER AND BIND OFF THE 20 (18,19) REM STS.

### RIGHT FRONT:

WITH SIZE 8 NEEDLES, CAST ON 100 (92,96) STS. WORK 10 CM (4") IN 1X1 RIB ST.  
NEXT RS ROW, WORK 26 STS IN 1X1 RIB FOR FRONT EDGE, WORK ST - ST TO END.  
AT SAME TIME, DEC AT LEFT SIDE (RS), AND EVERY 12 ROWS 13 TIMES 1 ST.

### ARMHOLE:

WHEN PIECE MEASURES 74 (72,73) CM; 29 1/4 (28 1/4, 28 3/4)", DEC AT ARMHOLE EDGE 1 TIME, 5 STS; 1 TIME, 3 STS AND 1 TIME 1 ST = 78 (70,74) STS.  
CONTINUE TO WORK EVEN.

### LAPEL:

AT SAME TIME, WHEN PIECE MEASURES 80 (76,78) CM; 31 1/2 (30, 30 3/4)", SHAPE LAPEL AS FOLLOWS:  
IN EVERY RS ROW, CHANGE THE FIRST 2 ST - ST TO 1X1 RIB UNTIL YOU HAVE 58 (52,55) 1X1 RIB STS AND 20 (18,19) ST - ST.  
WORK EVEN UNTIL PIECE MEASURES 96 (92,94) CM; 37 3/4 (36 1/4, 37)".

### SHOULDER:

KEEP 58 (52,55) 1X1 RIB STS IN ST HOLDER AND BIND OFF 20 (18,19) ST - ST.

### LEFT FRONT:

WORK AS FOR RIGHT FRONT, REVERSING ALL SHAPING AND PLACEMENT OF POCKET.

### SLEEVE:

WITH SIZE 8 NEEDLES, CAST ON 64 (56,60) STS.  
WORK 10 CM (4") IN 1X1 RIB ST.  
NEXT RS ROW, CHANGE TO ST - ST AND INC AT BEG OF EACH SIDE AND EVERY 10 ROWS, 6 TIMES 1 ST = 76 (68,72) STS.

### SLEEVE CAP:

WHEN SLEEVE MEASURES 48 (47,46) CM; 19 (18 1/4, 18 1/2). DEC AT BEG OF EACH SIDE 6 TIMES 3 STS = 58 (50,54) STS.  
NEXT RS ROW, BIND OFF ALL STS.  
WORK TWO.

### POCKET :

WITH SIZE 8 NEEDLES, CAST ON 40 STS, WORK 36 ROWS IN ST - ST.  
NEXT ROW, CHANGE TO 1X1 RIB, WORK 22 ROWS AND BIND OFF.  
WORK TWO.

## FINISHING :

SEW SHOULDER SEAMS.

### COLLAR:

CHANGE STS FROM HOLDER TO SIZE 10 1/2 NEEDLES.  
BEG WITH RIGHT FRONT STS, THEN BACK NECK EDGE AND LEFT FRONT STS.  
NEXT ROW: WORK ALL STS IN 1X1 RIB  
AT SAME TIME, WHEN WORKING BACK NECK EDGE STS, INC 15 STS DISTRIBUTED EVENLY = 153 (137,145) STS.  
WORK EVEN FOR 28 CM (11"). BIND OFF LOOSELY.

BLOCK PIECES LIGHTLY TO MEASUREMENTS.

SET IN SLEEVES TO ARMHOLES.

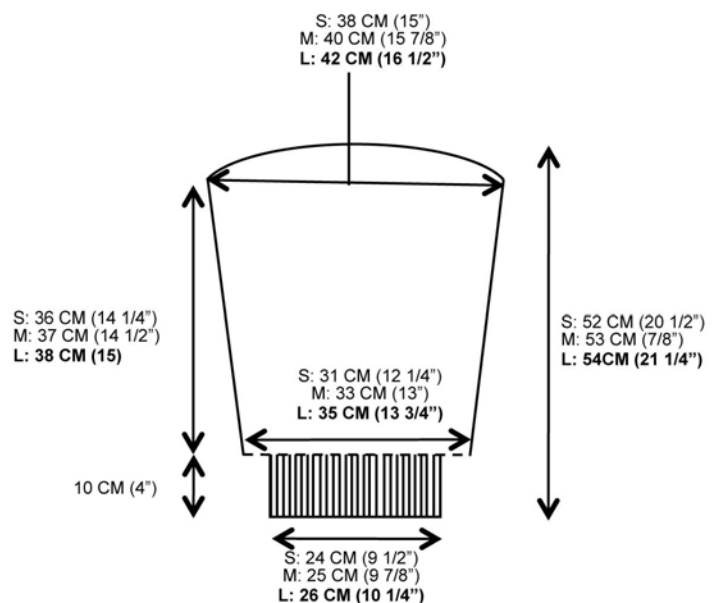
SEW SLEEVE AND SIDE SEAMS.

SEW POCKETS TO FRONTS, 20 CM (8") FROM BEG OF LOWER EDGE AND 10 CM (4") FROM SIDE.

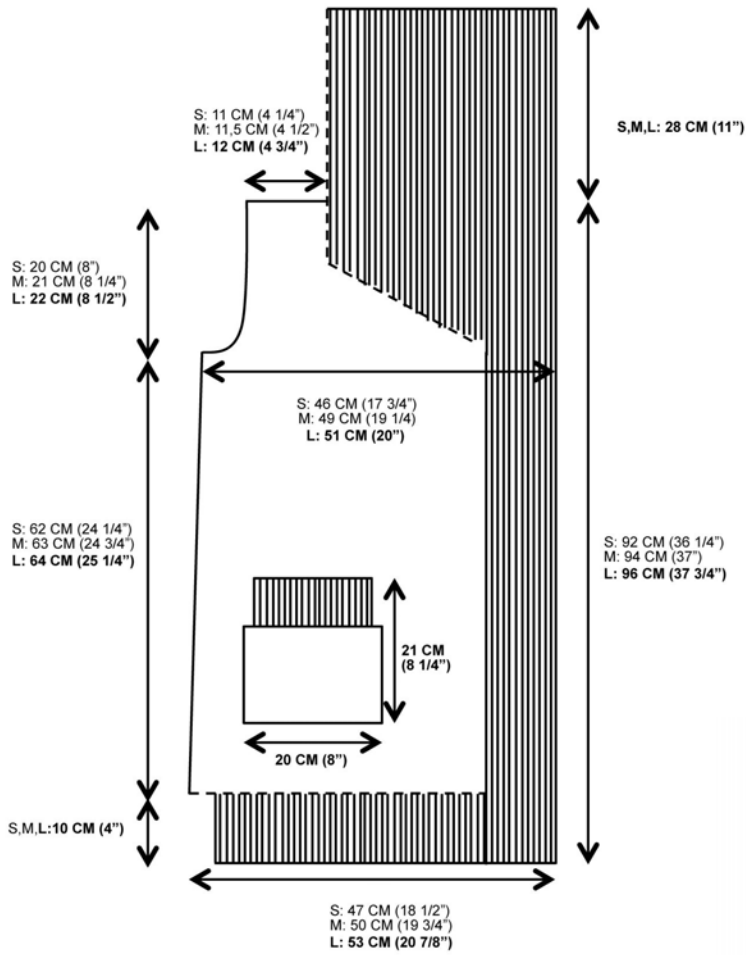
### BELT:

WITH SIZE 8 NEEDLES, CAST ON 32 STS, WORK 150 CM (59") IN 1X1 RIB ST.  
BIND OFF.

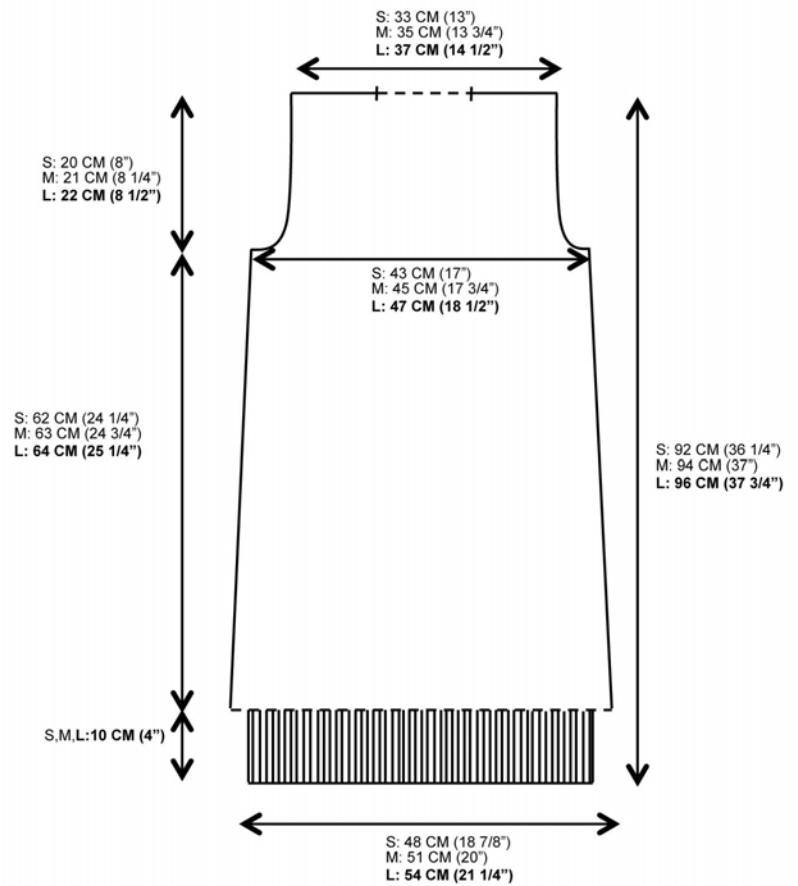
## SLEEVE



## RIGHT FRONT




## BACK





## CROCHET HOOK SYMBOLS


 **CHAIN ST ( CH ):** YARN OVER HOOK, PULL LOOP THROUGH.


• **SLIP ST ( SL ST ):** INSERT HOOK INTO 1 ST., YARN OVER HOOK, POOL LOOP THROUGH.


 **SINGLE CROCHET ( SC ):** INSERT HOOK INTO 1 ST., YARN OVER HOOK, PULL LOOP THROUGH, YARN OVER AND PULL THROUGH LAST 2 STS ON HOOK.

 **HALF DOUBLE CROCHET ( HDC ):** YARN OVER HOOK, INSERT HOOK INTO 1 ST, YARN OVER, PULL LOOP THROUGH, YARN OVER AND PULL THROUGH 3 STS ON HOOK .

 **DOUBLE CROCHET ( DC ):** YARN OVER HOOK, INSERT HOOK INTO 1 ST, YARN OVER, PULL LOOP THROUGH, \*YARN OVER AND PULL THROUGH 2 STS ON HOOK \* REPEAT FROM \* TO \* .


 **PICOT ST:** 3 STS IN CHAIN ST, AND END ROUND WITH 1 SLIP ST INSERTING HOOK IN THE FIRST CHAIN ST.

 **TRIPLE CROCHET ( TRC ):** 2 YARNS OVER HOOK, INSERT HOOK INTO 1 ST, YARN OVER, PULL LOOP THROUGH, \* YARN OVER AND PULL THROUGH 2 ST. ON HOOK \* REPEAT FROM \* TO \* 3 TIMES.

 **QUADRUPLE CROCHET:** 3 YARNS OVER HOOK, INSERT HOOK INTO 1 ST, YARN OVER, PULL LOOP THROUGH, \* YARN OVER AND PULL THROUGH 2 ST. ON HOOK \* REPEAT FROM \* TO \* 4 TIMES.

 **SHELL ST.:** WORK SEVERAL STS. ( SC, DC, TRC, ETC.,) IN THE SAME BASE STIICH.

**CRAB ST:** WORK SC, MOVING FROM LEFT TO RIGHT.


 **POPCORN ST ( POP ):** ( FROM 2 TO 6 STS ) WORK 5 DC IN SAME ST, DROP LOOP FROM HOOK, INSERT HOOK IN TOP OF FIRST DC, PICK UP DROPPED LOOP, AND DRAW THROUGH ST, CHAIN 1 TIGHTLY TO SECURE ( POP MADE ).

## NEEDLES SYMBOLS

 **K1 :** KNIT ONE ST

 **P1:** PURL ONE ST

 **K2 TOG:** KNIT 2 STS TOGETHER

 **K1,SL1, PSSO:** KNIT ONE, SLIP ONE, PASS SLIPPED STITCH OVER

 **YO:** YARN OVER NEEDLE

**REP:** REPEAT



**CABLE 6 ST TO RIGHT:** PLACE 3 STS. ON CABLE NEEDLE AT BACK, K3, THEN K 3 STS FROM CABLE NEEDLE.