



Ella rae

Seasons



Knitting Fever INC
315 Bayview Avenue,
Amityville, NY 11701
www.knittingfever.com



MENS CARDIGAN

YARN

Ella Rae SEASONS

	S	M	L
Chest	91-107	112-117	121-127 cm

Col. No.	Quantity x 100g Balls
#4 Purple	6 7 8

NEEDLES

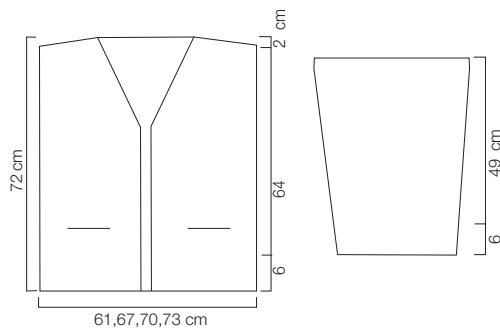
- 1 pair 5.00mm needles (US 8)
- 1 pair 6.00mm needles (US 10)

TENSION/GAUGE

13 sts and 20 rows measured over 10 cm of Pattern using 6.00mm needles.

ADDITIONAL REQUIREMENTS

5 Buttons



Pattern Repeat (4+3)

Row 1 (RS) P1, k1 * p3, k1; rep from * to last st, p1.

Row 2 (WS) K3 * p1, k3; rep from * to end.

These 2 rows form pattern.

Pocket Linings (make 2)

Using 6.00mm needles, cast on 21 sts.
Work 20 cm in St st, ending on a RS row.
Leave sts on a holder.

BACK

Using 6.00mm needles, cast on 79(83,89,95) sts.

Row 1 (RS) K1 * p1, k1; rep from * to end.

Row 2 (WS) P1 * k1, p1; rep from * to end.

These 2 rows form rib.

Cont working in rib until length measures 6 cm, ending on a WS row, inc 0(4,2,0) sts on last row worked. [79(87,91,95) sts]

Cont working in patt rep until length (incl rib) measures 70 cm, ending on a WS row.

Shape shoulders (RS) Cast off 8(9,9,10) sts, beg next 4 rows, then 9(10,11,10) sts beg next 2 rows. Cast off rem 29(31,33,35) sts.

LEFT FRONT

Using 6.00mm needles, cast on 30(34,38,42) sts.

Row 1 (RS) * K1, p1; rep from * to end.

Row 2 (WS) * K1, p1; rep from * to end.

These 2 rows form rib.

Cont working in rib until length measures 6 cm, ending on a WS row, inc 1 st on last row worked. [31(35,39,43) sts]

Cont working in patt rep until length (incl band) measures 20 cm, ending on a WS row.

Place pocket (RS) Patt 5(7,9,11) sts, leave next 21 sts on a holder, patt to end.

(WS) Patt 5(7,9,11) sts, patt across 21 sts of one pocket lining, patt to end.

Cont working in patt rep until length (incl band) measures 47 cm, ending on a RS row.

Shape front neck (WS) Dec 1 st beg (neck edge) next row, then 1 st at neck edge foll 7th(7th,5th,5th) rows, 5(6,6,2) times, then 1 st neck edge foll 0(0,3rd,3rd) rows 0(0,3,10) times.

[25(28,29,30) sts, 36(43,44,41) shaping rows]

Cont working straight until length (incl band) measures 70 cm, ending on a WS row.

Shape shoulder (RS) Cast off 8(9,9,10) sts at beg next row, then on foll alt row once.

Patt 1 row.

Cast off rem 9(10,11,10) sts.

RIGHT FRONT

Work as for left front, reverse all shapings.

SLEEVES

Using 6.00mm needles, cast on 30(34,34,36) sts.

Row 1 (RS) * K1, p1; rep from * to end.

Row 2 (WS) * K1, p1; rep from * to end.

These 2 rows form rib.

Cont working in rib until length measures 6 cm, ending on a WS row, inc 1(1,1,3) st/s on last row worked. [31(35,35,39) sts]

Cont working in patt rep, AT THE SAME TIME shape sides as foll:

Inc 1 st each end foll 5th(11th,5th,11th) row once, then on foll 6th rows, 15(14,15,14) times more.

[63(65,67,69) sts 95 shaping rows]

Cont working straight until length (incl band) measures 55 cm, ending on a WS row.

Cast off.

MAKING UP

Press pieces gently on WS, using a warm iron over a damp cloth.

Join shoulder seams.

Centre sleeves and sew into position. Sew sleeve and side seams.

Pocket tops

With RS facing, using 5.00mm needles, pickup 21 sts from holder.

Row 1 * K1, p1; rep from * to last st, k1.

Row 2 * P1, k1; rep from * to last st, p1.

These 2 rows form rib.

Cont working in rib until length measures 4 cm, ending on a WS row.

Cast off in rib.

Repeat for other pocket top. Sew pocket ends to bodice. Sew pocket linings to inside.

Front bands

Place a marker at centre back neck.

Right Band (button band) Using 5.00mm needles, cast on 20 sts.

Row 1 (RS) * K1, p1; rep from * to end.

Row 2 (WS) * K1, p1; rep from * to end.

These 2 rows form rib.

Cont working in rib until length measures same as right front to beg of neck shaping, ending on a WS row.

Next row (RS)(inc) Inc 1 st beg next row, then beg foll alt rows 19 times more. [40 sts]

Cont working straight until length fits along neck edge and across back neck to centre marker.

Cast off.

Mark positions for 5 buttons, the first to be placed approx 2 cm above cast on edge, the last to be placed approx 1 cm below beg of neck shaping, the remaining 3 to be spaced evenly between.

Left Band (buttonhole band) Work as for right band, making buttonholes to correspond with button placements as foll: (RS) Rib 9 sts, cast off 2 sts, rib to end.

(WS) Rib to cast off sts of previous row, turn, cast on 2 sts, turn, rib to end.

When all buttonholes are complete cont working in rib until length measures same as left front to beg of neck shaping, ending on a RS row.

Next row (WS)(inc) Inc 1 st beg next row, then beg foll alt rows 19 times more. [40 sts]

Cont working straight until length fits along neck edge and across back neck to centre marker.

Cast off.

Sew back neck seam.

Sew buttons to right band.