

(Filz)ationell



NEW:

LINIE 231 FILZWOLLE

ON
line

Hat with brim

Head width felted: 54-58 cm / head width without felting: 67-73 cm

Materials: ONline Linie 231 FILZ-WOLLE, col 102 (red lilac color) 250 g, circular needles and 5 double-pointed needles size 8 mm, as chosen 65 cm rib ribbon, sewing yarn

Basic pattern: in rounds stockinette stitch = K all rounds.

Gauge: without felting 11-12 and 17-19 rows to 10 cm or 4" square / felted: 14 sts and 27 rows to 10 cm or 4" square.

METHOD

For **brim** cast on 112 sts and cont in rounds in basic pattern. For **head piece** work tog every 13th and 14th st 8 times on 17th round = 104 sts on 18th round work tog 6th and 7th st and then 12th and 13th st 7 times = 96 sts, on 19th round work tog 11th and 12th st 8 times = 88 sts, on 20th round work tog 4th and 5th st and then 7 times every 10th and 11th st = 80 sts. Work 36 rounds without dec, then work tog 2 sts each 16 times on every 4th round, tighten last 8 sts on a length of yarn and sew off.

Finishing: felt hat and shape as given under „general instructions, knit-felting“.

Pot hat

Unfelted: head width 66-68 cm, total length 31-33cm / felted: head width 55-58 cm, total length 22-23 cm.

Materials: ONline Linie 231 FILZ-WOLLE, col 102 (red lilac color) 200 g, one short circular needle and double-pointed needles size 8 mm, as chosen 65 cm rib ribbon, sewing yarn.

Basic pattern: moss pattern. 1st row/round: alt K1, P1. on every row/round stagger sts by 1 st. **Important:** rounds need an uneven number of sts to stagger pattern without passage.

Gauge: unfelted: 11-12 sts and 22 rows/rounds to 10 cm or 4" square / felted: 14 sts and 33 rows/rounds to 10 cm or 4" square.

METHOD

For **brim** cast on 113 sts and work 2 rounds stockinette stitch, K 1 round, cont in moss pattern. After 5 cm or 2" work slip decrease knitwise 6 times over every 16th, 17th and 18th st = 101 sts, after 7 cm or 2 3/4" work slip decrease knitwise over every 14th, 15th and 16th st 6 times = 89 sts. After 9 cm or 3 5/8" work slip decrease knitwise over every 12th, 13th and 14th st 6 times = 77 sts. **Advice:** working 1 round knitwise now – attaching of rib ribbon is facilitated subsequently. For head work approx. 18 cm or 7 1/8" over 77 sts, then start decreases: mark 7 times every 11th st, on every 3rd round work slip decrease knitwise over these 3 sts. Slip last 7 sts onto a length of yarn and sew off.

Finishing: felt hat and shape as given under

„general instructions, knit-felting“.

Advice: attaching a rib ribbon for comfortable wearing: position a rib ribbon approx. 65 cm or 25 1/2" long and 2.5-3.5 cm or 1-1 3/8" wide and set comfortable width. Join rib ribbon in round and hand-stitch at back of brim.

Large bag

unfelted : 55 cm or 21 3/4" wide, 33 cm or 13" long / finished measurement: 44 cm or 17 1/4" wide, 23 cm or 9 1/8" long.

Materials: ONline Linie 231 FILZ-WOLLE, col 102 (red lilac color) 400 g and Linie 85 Smash, col 38 (lilac) 50 g, circular needles and double-pointed needles size 8 mm, one long button.

Basic pattern: in rounds stockinette stitch = K all rounds. In rows: K on right side, P on wrong side.

Gauge: unfelted: 11-12 sts and 17-19 rows to 10 cm or 4" square, felted: 14 sts and 27 rows to 10 cm or 4" square.

METHOD

For **bag bottom** cast on 46 sts and work 34 rows = 17 rows garter stitch ribs (K all rows). Continue in rounds as follows, at beginning mark beginning with a colored yarn, to facilitate stitches for straps correctly! In addition to the 46 sts pick up 17 sts along side edge, 46 sts along cast-on and 17 sts along 2nd side edge, continue over all 126 sts in rounds. After 30 rounds work Smash stripe as follows: 10 sts 2 strands Filzwolle + Smash, then end round with Filzwolle. On every following round stagger Smash sts by 10 sts to the left, work last 3 rounds over 12 sts each. After 44 round start straps: bind off 17 sts, work 15 sts, bind off 16 sts, work 15 sts, bind off 17 sts, work 15 sts, bind off 16 sts, work 15 sts. Over 15 sts each work the 4 straps, on either side dec 1 st on every alt row until 5 sts remain on needle. Over these 5 sts work a knitted cord with 2 needles from double-pointed needles: * K5, return sts to end of needle, don't turn!, carry yarn at back of sts and rep from *. Work each strap approx. 20 cm or 8" long, then sew together 2 ends each time- For handy bag pick up along side edge on 20th round 15 sts along bag and work 30 rows basic pattern, inserting Smash for diagonal stripe: starting with 2 sts and stagger by 2 sts on every row as explained before. Attach side so that a small base is obtained below.

Finishing: felt bag and shape as explained under „general instructions, knit-felting“. For buttonhole drill a large eyelet into still wet bag using a pointed object. After drying sew button to opposite inner side of bag.

Small bag

unfelted: 41x32 cm or 16 1/2 x 12 1/2" / finished measurement: 33x32 cm or 13 x 8 5/8"

Materials: ONline Linie 231 FILZ-WOLLE, col 102 (red lilac color) 200 g, one short size 8 mm circular needle, one bag handle (f.i. from Prym: Alice, art. 615102)

Basic pattern: moss pattern 1st row/round alt K1, P1. On every row/round stagger sts by 1 st.

Note: round need an uneven number of sts. So that pattern is changed without passage.

Gauge:

unfelted: 11-12 sts and 22 rows/rounds to 10 cm or 4" square.

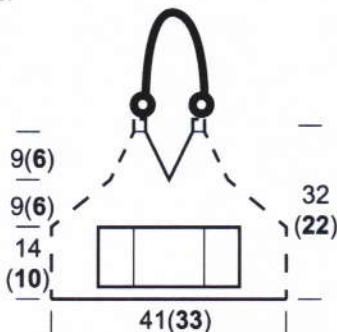
Felted: 14 sts and 33 rows/rounds to 10 cm or 4" square.

METHOD

cast on 95 sts and work 34 rounds in moss pattern. For decreases mark 1 K st on either side, on every alt round work slip dec knitwise over 3 sts 10 times = 55 sts. Work these sts each time as knit st. Divide work on either side of center st and over 27 sts each (decrease 1 st on one side) cont for both sides in rows separately. Continue to knit center st, on every **4th row** work slip dec over 3 sts knitwise. At the

same time decrease at each end along border on every **4th row** 1 st: at beginning of row after edge st work slip dec knitwise over 2 sts, at end of row before edge st K2 tog. Over last 7 sts work another 10 rows, then cast off. For the small attached bag pick up 29 sts 5 rows from cast-on and work 22 rows in moss pattern. Attach bag at the side and sew off on either side 2 pockets 6 cm or 2 3/8" wide. Join lower border.

Finishing: felt bag and shape as given under „general instructions, knit-felting“. Attach bag handle.



Basic instructions for slippers

We have chosen a super-easy knitting method for the felt slippers so that even less experience knitters will get along. With the given number of sts work first 11-16 cm or 4 1/4 - 6 1/4" in rows. Cast-on border is divided and sewn together at the end. This will be the **heel seam**. Real profis will work cast-on with a contrasting yarn, join this seam with knitting stitches subsequently, taking out contrasting yarn. At chosen length continue with double-pointed needles in rounds, inc 1 st at center front. At chosen length of

foot, for point K tog each time first 2 sts on every needle.

Repeat these decreases on 3rd round, then on every round. Slip last 7-9 sts (depending on size) on a length of yarn and sew off.

Stripes chosen – change colors at center of sole.

For very small feet don't work increases at center front, or cast on here 1 or 2 sts less.

Table gives centimeters for foot lengths, for 2nd slipper use number of sts of 1st piece.

All further variations such as borders of slippers and turn-over are given in respective instructions.

Size	30/31	32/33	34/35	36/37	38/39	40/41	42/43
number of sts without yarns over needle	29	30	32	32	34	34	36
number of sts with yarns over needle	10/29/10	10/30/10	10/32/10	10/32/10	10/34/10	10/34/10	10/36/10
open rows in cm	12-13	12-13	13-14	13-14	14-15	14-15	15-16
increases	+2 = 31 M	+3 = 33 M	+3 = 35 M	+3 = 35 M	+3 = 37 M	+3 = 37 M	+3 = 39 M
total length to decrease	25,5 cm	26,5 cm	28 cm	30 cm	31,5 cm	33,5 cm	36 cm
decrease rounds	8	9	9	9	10	10	11
point in cm	4,5	5	5	5	5,5	5,5	6
total length in cm	30	31,5	33	35	37	39	42
total length after felting.	21	22	23	24,5	26	27,5	29,5

Slippers with slipper border

Size 38/39 = foot length 26 cm or 10 1/4"

Materials: ONline Linie 231 FILZ-WOLLE, col 102 (red lilac color) 250 g and 50 g Linie 85 Smash, col 38 (lilac), double-pointed needles size 8 mm.

Basic pattern: in rounds stockinette stitch = K all sts. In rows: K on right side, P on wrong side.

Gauge: unfelted: 11-12 sts and 17-19 rows to 10 cm or 4" square.

Felted: 14 sts and 27 rows to 10 cm or 4" square.

METHOD

Slippers are worked extra „foot-wide“, thus use the higher cast-on as given in table!

Cast on 37 sts and work 16-17 cm or 6 1/4 – 6 3/4"

in rows, continue in rounds, increase 3 sts at center front = 40 sts. Work in rounds, after 31.5 cm or 12 3/8" from beginning work decreases. Join heel seam, then pick up along top 45 sts and work 8 rounds, for a **slipper border** include in 1 round Linie 85 Smash, work another 2 rounds, then bind off sts.

Finishing: felt slippers and shape as given under „general instructions, knit-felting“.

Felt slippers with turn-over

Size 36/37 = foot length 24.5 cm or 9 3/4"

Unfelted: foot length 35 cm or 13 3/4".

For size 26-43 see table!

Materials: ONline Linie 231 FILZ-WOLLE, col 102 (red lilac color) 200 g, double-pointed needles size 8 mm.

Basic pattern: moss pattern. 1st row/round: alt K1, P1. On every row/round stagger sts by 1 st. Note: rounds need an uneven number of sts to facilitate change of pattern.

General remarks knit-felting

The knitted models shrink after washing = felting, thus all pieces are first worked considerably larger. However they do not shrink uniformly in width = number of stitches reduced by approx. 20%, in length – number of rows approx. 30%. Felting depends as well from washing machine, chosen programme, detergent and temperature. For chosen shrinking of felted pieces by 30-40% - we recommend a 2nd washing. Thus pieces are most stiff, however as well most hard-wearing.

In general: washing in main washing operation with 40° C, using a color full detergent and spin-drying of at least 800/min. To improve felting: in addition give two tennis balls or gymnastic balls into tumbler for extra walking of knitted pieces.

Felting result is „too large“ – start a new washing procedure at higher temperature and higher turn

Gauge:

unfelted: 11-12 sts and 22 rows/rounds to 10 cm or 4" square.

Felted: 14 sts and 33 rows/rounds to 10 cm or 4" square.

METHOD

cast on 52 sts and work 13-14 cm or 5 1/8 – 5 1/2", then bind off at each end on every alt row 2 sts once and 8 sts once = 32 sts. Continue in rounds, at center front inc 3 sts = 35 sts. Continue in rounds, after 30 cm or 11 7/8" from beginning work decreases as follows: at sides work slip dec over 3 sts knitwise following pattern = 31 sts. Repeat these decreases on 3rd round, then on every round, slip last 7 sts onto a length of yarn and sew off. Join heel seam with overcast stitches for a flat appearance.

Finishing: felt slippers and shape as given under „general instructions, knit-felting“. Shape turn-over to right side.

for all subsequent washing procedures, serving for cleaning of pieces – use gentle or wool washing programme to eliminate further felting of pieces and resulting reducing of pieces.

Immediately after washing, pieces may be shaped very well. For slippers it's important to shape the heel perfectly round prior to place for drying. Hats and caps should as well shaped immediately after washing. Here a wig head of styropore or a woden head are recommended.

In general for pieces knitted in stockinette stitch with size 7-9 mm needles – gauge is 11-12 sts and 17-19 rows to 10 cm or 4" square. After felt washing – 14 sts and 27 rows to 10 cm or 4" square.

However a small surprise effect may be expected when opening the washer door!

ON
live

ONline Klaus Koch GmbH
www.online-garne.de